



**OPERATOR'S MANUAL**

A Division of Snow Joe®, LLC

# **ELECTRIC GRASS TRIMMER**

10-INCH | 2.5-AMP

**Model TRJ607E-RM**

Form No. SJ-TRJ607E-RM-880E-V1

## **THANKS FOR YOUR PURCHASE OF A REMANUFACTURED PRODUCT.**

To make sure you get the most out of your product, be sure to register online at

**snowjoe.com**

to enjoy full product support.

PASTE UPC LABEL HERE



# ELECTRIC GRASS TRIMMER

10-INCH | 2.5-AMP

## OPERATOR'S MANUAL

A Division of Snow Joe®, LLC

Model TRJ607E-RM

Form No. SJ-TRJ607E-RM-880E-V1

## IMPORTANT!

### Safety Instructions

### All Operators Must Read These Instructions Before Use

Before using this electric tool, carefully read and observe the safety rules and instructions listed below. Before starting work, make sure that you know how to stop the machine in case of an emergency. The incorrect use of this machine could cause serious injury. Keep these instructions in a safe place and on hand so that they can be consulted when required.

**⚠ DANGER!** The electric grass trimmer should only be used for cutting lawns and for trimming along the borders of flower beds. Other uses of the trimmer that are not indicated in these instructions could damage the unit or seriously injure the operator.

### General Safety

- 1. Avoid dangerous environments** – Do not use appliances in damp or wet locations. Do not use in rain.
- 2. Keep children and bystanders away** – Children and other spectators, including pets, should be kept at least 50 feet (15 meters) away from the work area. When the grass is cut, stones and debris contained in the grass can be picked up by the trimmer and dispersed into the air. These flying projectiles can cause blindness or other bodily injury.
- 3. Dress properly** – Always wear suitable clothing when using the trimmer to prevent head, hand, or feet injuries. Do not wear loose clothing or jewelry. They can get caught in moving parts.
- 4. Use safety glasses** – Also use safety footwear, snug-fitting clothing, protective gloves, hearing and head protection.
- 5. Use the right tools** – Do not use tools for any job except that for which they are intended.
- 6. Avoid unintentional starting** – Do not carry plugged-in tool with finger on the trigger. Make sure the switch is off before plugging in the tool.
- 7. Do not abuse the cord** – Never carry the tool by the cord or yank the cord to disconnect it from the receptacle. Keep the cord away from heat, oil, and sharp edges.

- 8. Do not force the tool** – It will do the job better and with less likelihood of injury if it is used at the rate for which it was designed.
- 9. Do not overreach** – Keep proper footing and balance at all times.
- 10. Stay alert** – Watch what you are doing. Use common sense. Do not operate the trimmer when you are tired, or under the influence of alcohol or drugs.
- 11. Disconnect the tool** – Turn the trimmer off and disconnect the plug when: the unit is not in use; it is left unattended; it is being examined because it is not working correctly; the power supply cable is damaged; the trimmer line is being removed or changed; or when the trimmer is being moved from one place to another.
- 12. Store idle tools indoors** – When not in use, tools should be stored indoors in a dry and high or locked-up place out of the reach of children.
- 13. Maintain tools with care** – Keep cutting edges sharp and clean for best performance and to reduce the risk of injury. Follow instructions for lubricating and changing accessories. Inspect the trimmer periodically and replace if damaged. Repair the trimmer only at an authorized service facility. Keep handles dry, clean, and free from oil and grease.
- 14. Checked for damaged parts** – Before continuing to use the trimmer, a guard or other part that is damaged should be carefully checked to determine that it will operate properly and perform its intended function. Check for the alignment of moving parts, binding of moving parts, breakage of parts, mounting, and any other condition that may affect the tool's operation. A guard or other part that is damaged should be properly repaired or replaced by an authorized service center unless indicated elsewhere in this manual.

**⚠ CAUTION!** The safety guard is critical to the safety of the operator and the safety of people standing within a safe distance of the trimmer. The safety guard keeps the unit in good working order and must always be in place during operation. Failure to have the guard in place during operation is dangerous and will void the warranty.

- 15. Keep away from the cutting line** – It can seriously injure the skin.
- 16. Do not try to stop the cutting device with your hands** – Always let it come to a stop by itself.

**17. Inspect electrical cables** – The insulation of the power cord should be perfectly intact. If the power cord is damaged or shows any signs of cracks, do not use the trimmer. Contact your authorized Snow Joe® + Sun Joe® dealer or call the Snow Joe® + Sun Joe® customer service center at 1-866-SNOWJOE (1-866-766-9563).

**⚠ CAUTION!** The trimmer line spool will continue to rotate after turning the trimmer OFF. Wait until the trimmer line spool has completely stopped before making contact.

- Only use the same type of line originally provided with the tool.
- Do not use the unit to cut grass that is not in contact with the ground.
- Do not switch the grass trimmer ON in enclosed or poorly ventilated spaces or in the presence of flammable and/or explosive substances such as liquids, gases, and powders.
- The user of the trimmer is responsible for any damage sustained by third parties that has been caused by the grass trimmer within the working area.
- Only cut during broad daylight or with adequate artificial light.
- Do not cross roads or gravel paths while the unit is still running.
- When the trimmer is not in use, store it in a dry place and out of the reach of children.
- The trimmer must be operated in a vertical position, perpendicular to the ground.
- Check regularly that all screws are properly secured.

## Electrical Safety

1. Ground fault circuit interrupter (GFCI) protection should be provided on the circuit(s) or outlet(s) to be used for this electric grass trimmer. Receptacles are available having built-in GFCI protection and may be used for this measure of safety.
2. Make sure that the mains voltage matches that listed on the unit's rating label. Using the improper voltage can damage the motor and injure the user.
3. To reduce the risk of electric shock, this appliance has a polarized plug (i.e. one blade is wider than the other). Use this appliance only with a polarized UL-, CSA- or ETL-listed extension cord recommended for outdoor, all-weather use.

The appliance plug will fit into a polarized extension cord only one way. If the appliance plug does not fit fully into the extension cord, reverse the plug. If the plug still does not fit, obtain a correct polarized extension cord. A polarized extension cord will require the use of a polarized wall outlet. The extension cord plug will fit into the polarized wall outlet only one way. If the plug does not fit fully into the wall outlet, reverse the plug. If the plug

still does not fit, contact a qualified electrician to install the proper wall outlet. Do not modify the appliance plug, extension cord receptacle, or extension cord plug in any way.

4. To prevent electric shock, use only with an extension cord suitable for outdoor use, such as SW-A, SOW-A, STW-A, STOW-A, SJW-A, SJOW-A, SJTW-A, or SJTOW-A.

Before use, check that the extension cord is in good condition. When using an extension cord, make sure to use one heavy enough to carry the current your product will draw. An undersized cord will cause a drop in line voltage resulting in loss of power and overheating.


<b style="font-size: 1.2em;">WARNING</b>		
<p><b>Electric shock may cause SEVERE INJURY or DEATH. Heed these warnings:</b></p> <ul style="list-style-type: none"> <li>• Do not allow any part of the electric grass trimmer to make contact with water while it is in operation. If the appliance becomes wet while turned off, wipe dry before starting.</li> <li>• Use only a UL-, CSA-, or ETL-rated extension cord for outdoor, all-weather use.</li> <li>• Do not use an extension cord over 100 ft (30 m).</li> <li>• Do not touch the appliance or its plug with wet hands or while standing in water. Wearing rubber boots offers some protection.</li> </ul>		
<b>EXTENSION CORD CHART</b>		
Extension Cord Length	Up to 50 ft (15 m)	+50 ft - 100 ft (+15 m - 30 m)
Wire Gauge (A.W.G.):	16	14

## Additional Electrical Safety Rules

- The voltage must correspond to the one marked on the technical data plate (120 V~60 Hz). Do not use other sources of power.
- Never pass the grass trimmer over the extension cord when the grass trimmer is in use as this could cut the cord. Make sure you know where the cord is at all times.
- Never use the tool when it is raining or when excessively moist and humid conditions are present. Do not cut damp grass or leave the tool outside overnight.
- The power supply cable should be checked regularly to make sure it is perfectly intact without any signs of wear or damage. If the cable is not in good condition, do not use the unit.

- Only use an extension cable that is rated for outdoor use. Keep the extension cord away from the cutting area, sharp edges, heat, fuels, damp areas, and oily surfaces.
- **Damage to unit** – If the trimmer strikes a foreign object or becomes entangled with it, stop the tool immediately. Unplug it, check for damage, and have any damage repaired before proceeding with operation. Do not operate the tool with a broken spool cover or spool. Contact your authorized Snow Joe® + Sun Joe® dealer or call the Snow Joe® + Sun Joe® customer service center at 1-866-SNOWJOE (1-866-766-9563).
- **Damage to cord** – Keep power cord away from the rotating line. If you damage the cord, unplug it from the power supply before moving the tool or examining the damage. A damaged cord must be replaced before further use.
- **Do not operate portable electric tools in gaseous or explosive atmospheres** – Motors in these tools normally spark, and the sparks might ignite fumes.
- **Maintain appliances with care** – Follow instructions for lubricating and changing accessories. Inspect extension cords periodically and replace if damaged. Keep handles dry, clean, and free from oil and grease.

## Double-Insulated Appliances

In a double-insulated appliance, two systems of insulation are provided instead of grounding. No grounding means is provided on a double-insulated appliance, nor should a means for grounding be added to the appliance. Servicing a double-insulated appliance requires extreme care and knowledge of the system, and should be performed only by qualified service personnel at an authorized Snow Joe® + Sun Joe® dealer. Replacement parts for a double-insulated appliance must be identical to the parts they replace. A double-insulated appliance is marked with the words “Double Insulation” or “Double Insulated.” The symbol  (square within a square) may also be marked on the appliance.











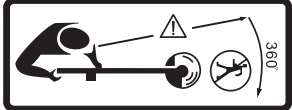


**DOUBLE-INSULATED: GROUNDING NOT REQUIRED. WHEN SERVICING, USE ONLY IDENTICAL REPLACEMENT PARTS.**

This electric grass trimmer is double-insulated, eliminating the need for a separate grounding system. Use only identical replacement parts. Read the instructions before servicing double-insulated appliances. Use this grass trimmer only as described in this manual.

# Safety Symbols

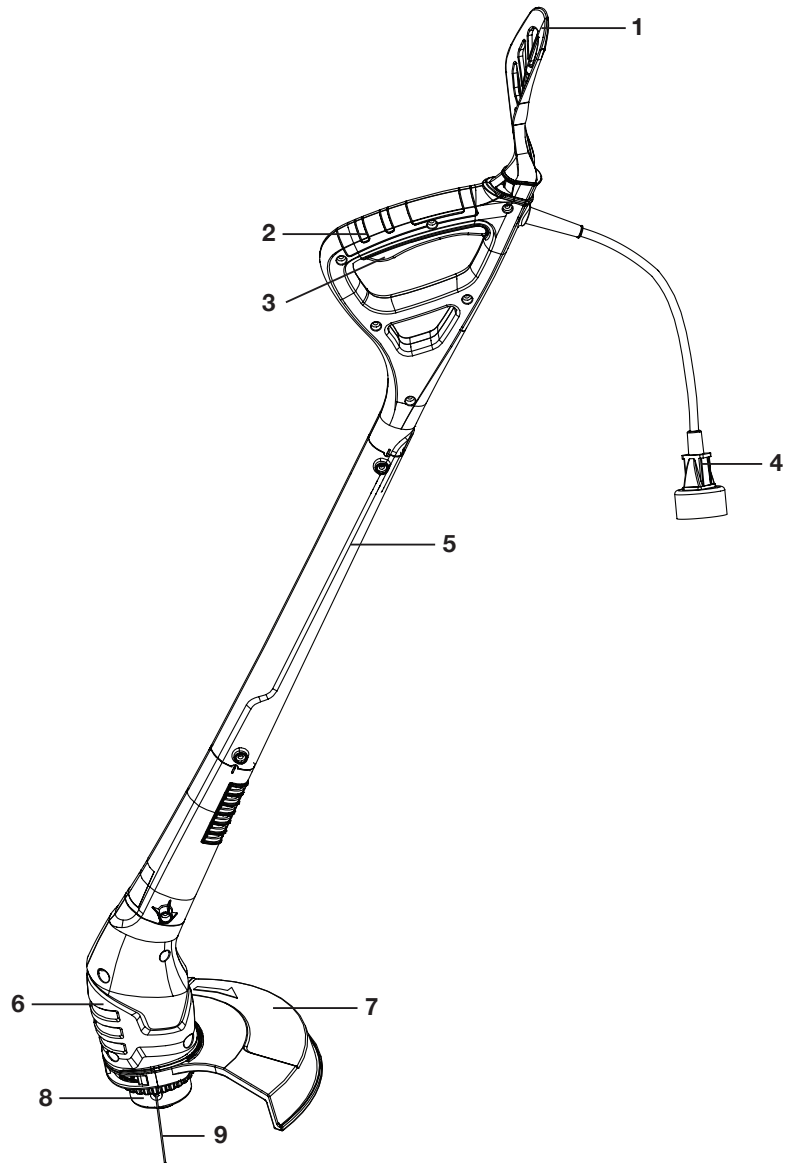
The following table depicts and describes safety symbols that may appear on this product. Read, understand, and follow all instructions on the machine before attempting to assemble and operate.

Symbols	Descriptions	Symbols	Descriptions
	<b>READ THE OPERATOR'S MANUAL(S)</b> – Read, understand, and follow all instructions in the user manual(s) before attempting to assemble and operate.		Keep bystanders and children a safe distance away.
	<b>SAFETY ALERT</b> – Indicates a precaution, a warning, or a danger.		<b>WARNING!</b> Do not expose the unit to rain or wet conditions.
	<b>WEAR EYE AND HEARING PROTECTION</b> – For protection against injury, wear ear defenders and safety goggles.		Beware of flying objects and debris.
	Wear protective gloves when using the machine and handling debris.		<b>WARNING!</b> Turn the machine OFF and disconnect it from the power supply before inspecting, cleaning, changing accessories, or conducting any other maintenance task.
	Immediately remove the plug from the mains if the power cable is damaged, frayed, or entangled. Always keep the power cable away from heat, oil and sharp edges.		<b>DOUBLE INSULATION</b> – When servicing, use only identical replacement parts.
	<b>DANGER!</b> Beware of thrown objects to bystanders. Keep bystanders at least 15 m (50 ft) away from the machine.		

# Know Your Electric Grass Trimmer

Read the owner's manual and safety instructions carefully before operating the electric grass trimmer. Compare the illustration below to your electric grass trimmer in order to familiarize yourself with the location of the various controls and adjustments. Save this manual for future reference.

1. Support bracket
2. Handle
3. ON/OFF trigger switch
4. Appliance cord
5. Trimmer pole
6. Trimmer head
7. Safety guard
8. Spool
9. Trimmer line



## Technical Data

Rated Voltage .....	120 V ~ 60 Hz	Line Diameter .....	0.063 in. (1.6 mm)
Motor .....	2.5 A	Spool Length .....	12 ft (3.7 m)
No Load Speed .....	10,000 rpm	Spool Advance .....	Bump feed
Cutting Swath.....	10 in. (25.4 cm)	Weight .....	2.78 lbs (1.26 kg)

# Unpacking

## Carton Contents

- Electric grass trimmer assembly with support bracket
- Safety guard
- Partial thread screw (1)
- ST4x16 screws (4)
- Manuals with registration card

1. Carefully remove the electric grass trimmer and check to see that all of the above items are supplied.
2. Inspect the product carefully to make sure no breakage or damage occurred during shipping. If you find damaged or missing parts, DO NOT return the unit to the store. Please call the Snow Joe® + Sun Joe® customer service center at 1-866-SNOWJOE (1-866-766-9563).

**NOTE:** Do not discard the shipping carton and packaging material until you are ready to use the electric grass trimmer. The packaging is made of recyclable materials. Properly dispose of these materials in accordance with local regulations.

**IMPORTANT!** The equipment and packaging material are not toys. Do not let children play with plastic bags, foils, or small parts. These items can be swallowed and pose a suffocation risk!

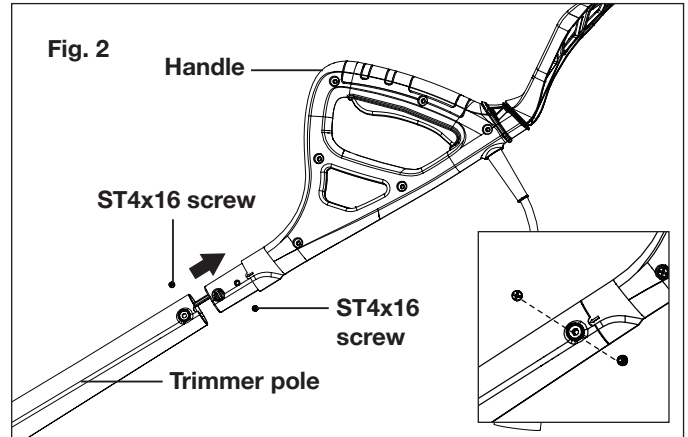
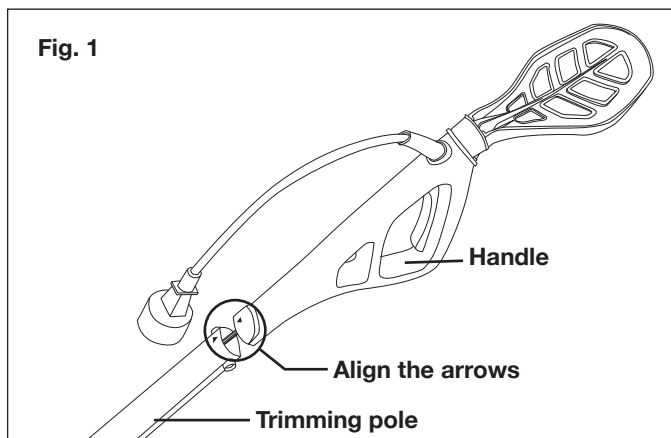
## Assembly

**⚠ WARNING!** Do not connect to power supply until assembly is complete. Failure to comply could result in accidental starting and possible serious personal injury.

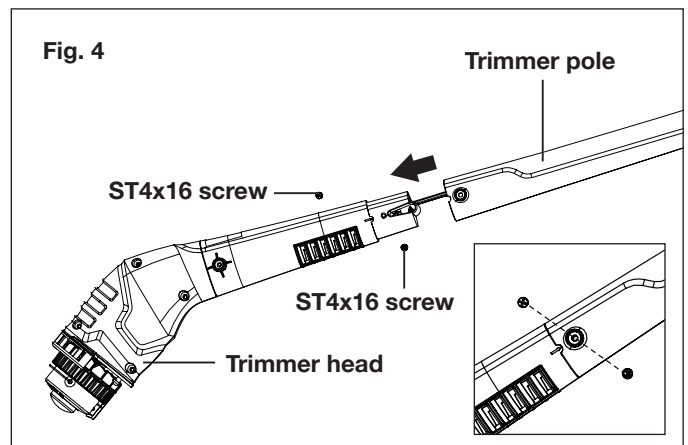
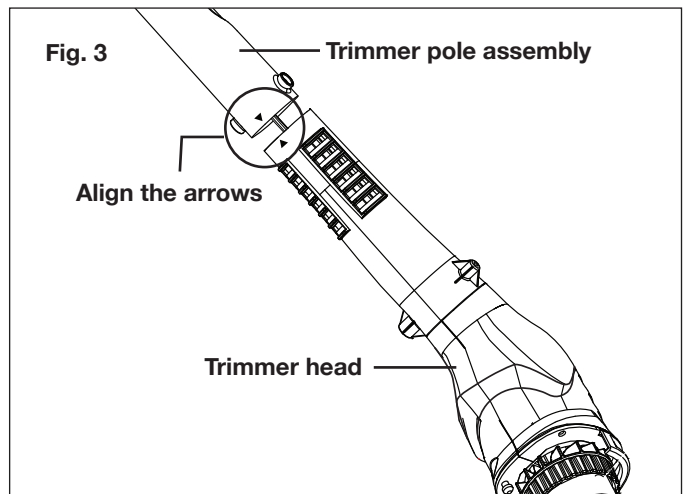
### Fitting the Handle + Pole

1. Aligning the two removable arrows on the back, as shown, insert the trimmer pole into the handle until it locks securely in place. Secure with 2 screws provided (Figs. 1 – 2).

**NOTE:** You may have to carefully move the wiring inside the pole to one side if it blocks the path of the screw.



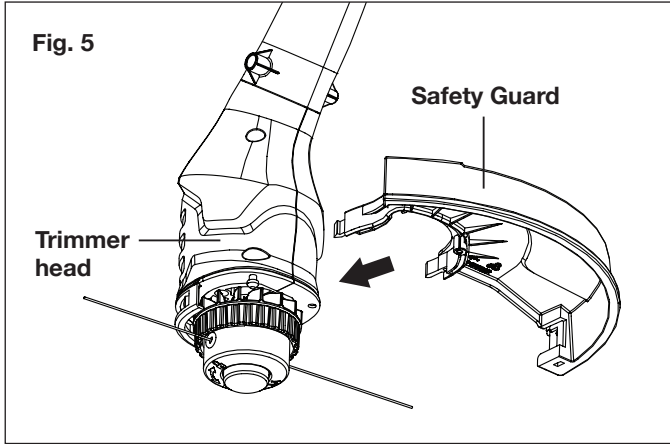
2. Aligning the two removable arrows on the back, as shown, install the trimmer pole assembly to the trimmer head and secure with the 2 remaining screws provided (Fig. 3 - 4).



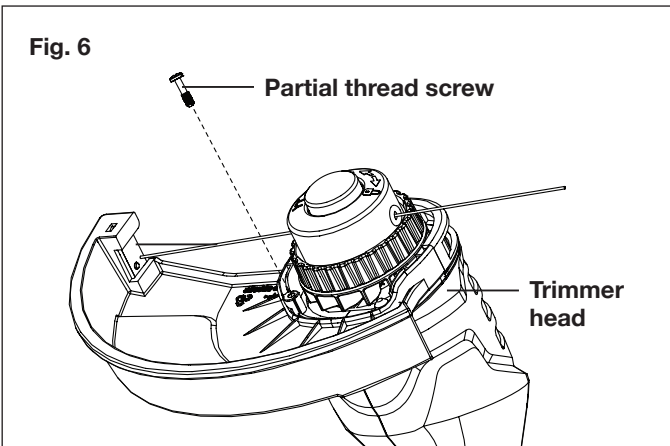
### Fitting the Safety Guard

**⚠ WARNING!** The safety guard must be properly installed. The guard provides the operator and other bystanders with some protection from thrown objects.

1. Fix the safety guard to the trimmer head, making sure the sides are located along the grooves on the trimmer head, as shown (Fig. 5).



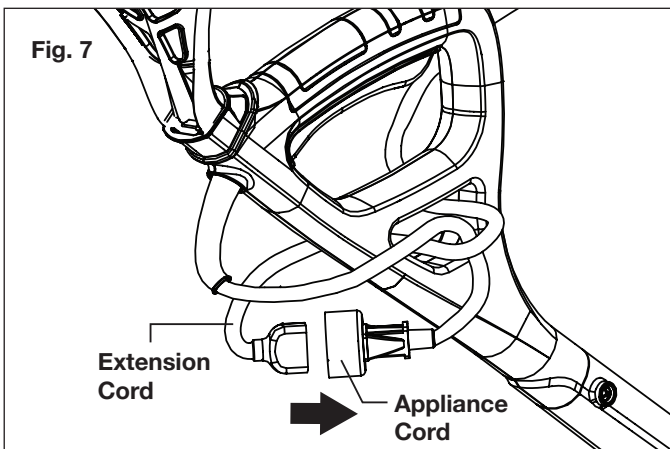
2. Secure the safety guard onto the trimmer head with the partial thread screw provided (Fig. 6).



## Operation

### Securing the Extension Cord

1. To prevent the grass trimmer appliance cord and extension cord from disconnecting during use, tie the extension cord into a loose knot around the lower bar of the handle as shown (Fig. 7).
2. Connect the extension cord to the appliance cord.

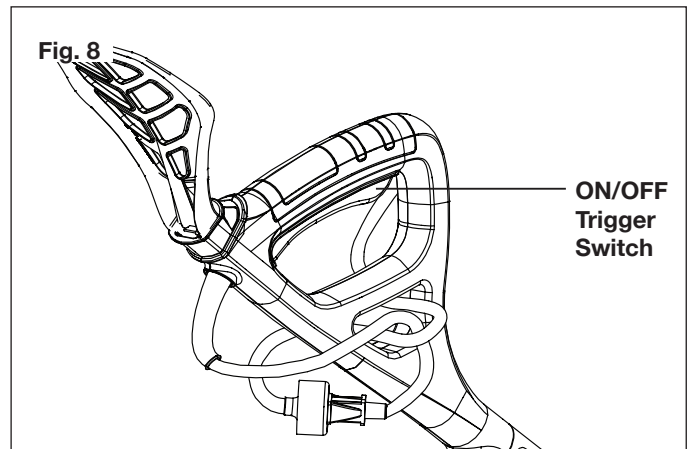


**⚠ WARNING!** Remove stones, loose pieces of wood, and other objects from the cutting area. The trimmer line continues to rotate for a few seconds after switching off the trimmer. Let the motor come to a complete stop before resuming operation. Do not rapidly switch the trimmer off and on.

**⚠ CAUTION!** Always wear eye protection.

### Starting + Stopping

1. To switch on the trimmer, press and hold the trigger switch. Release the trigger to stop (Fig. 8).



### Trimming

- Hold the grass trimmer with your right hand on the handle, rest your arm on the support bracket and your left hand on the trimmer pole. The grass trimmer should be held at a comfortable position with the handle about hip height.
- Wear non-slip gloves for maximum grip and protection.
- For the best cutting action against walls, fences, and in high grass, move the grass trimmer slowly so grass is cut with the tip of the high speed nylon line.
- Avoid dragging the grass trimmer and string spool cover in contact with the ground.
- Trim only when grass and weeds are dry.

**NOTE:** As the weather becomes cooler, the tendency for the nylon line to break becomes greater. **DO NOT USE WHEN TEMPERATURE IS BELOW 50°F (10°C).**

- Cut tall grass from top down. This will prevent grass from wrapping around the shaft housing and string head which may cause damage from overheating.
- If grass becomes wrapped around the string head:
  - Stop the trimmer.
  - Unplug the trimmer.
  - Remove the grass.



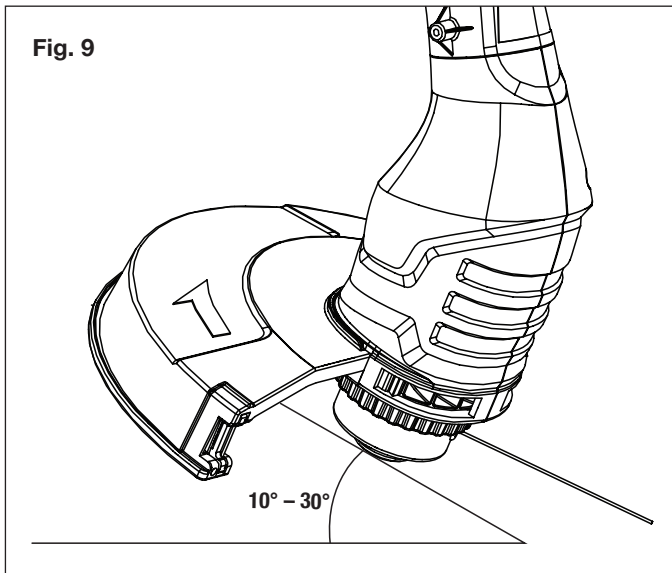
**⚠️ WARNING!** Always hold the trimmer away from body. Any contact with the grass trimmer cutting head while operating can result in serious personal injury.

- The life of your nylon line is dependent upon following instructions for proper use, as well as what is being cut, and where the cutting is being done.

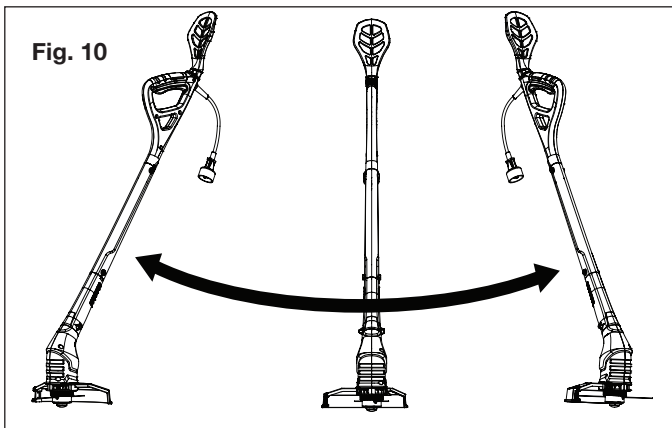
**⚠️ WARNING!** Remove stones, loose pieces of wood, and other objects from the cutting area. The string continues to rotate for a few seconds after switching off the trimmer. Let the motor come to a complete stop before resuming operation. Do not rapidly switch the trimmer off and on.

**⚠️ CAUTION!** Always wear eye protection.

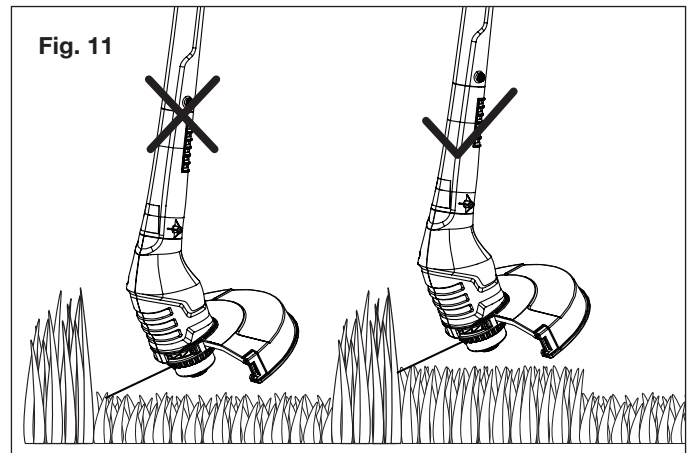
1. For best cutting performance, hold the trimmer at an angle of approximately 10 – 30 degrees to the work area (Fig. 9).



2. Slowly swing the trimmer from side to side (Fig. 10).



3. Do not overload your trimmer; instead, take small “bites” of grass, working from the top to the bottom. This will keep the machine operating at high speed and will greatly improve its cutting efficiency (Fig. 11).



## Maintenance

### Advancing Strings

**NOTE:** Your trimmer uses 0.063 in. (1.6 mm) diameter nylon line to cut grass and weeds quickly and easily. In order to feed a length of cutting line, strike the bump cap on the lawn while the trimmer is running. This will automatically feed a new length of line and trim it to the correct length. A firm but gentle motion should be used to strike the bump cap. The trimmer should be angled slightly forward to prevent the guard from contacting the ground. This process may be repeated as often as necessary. If the trimmer fails to feed, unplug the extension cord from the trimmer and clean out the bump cap.

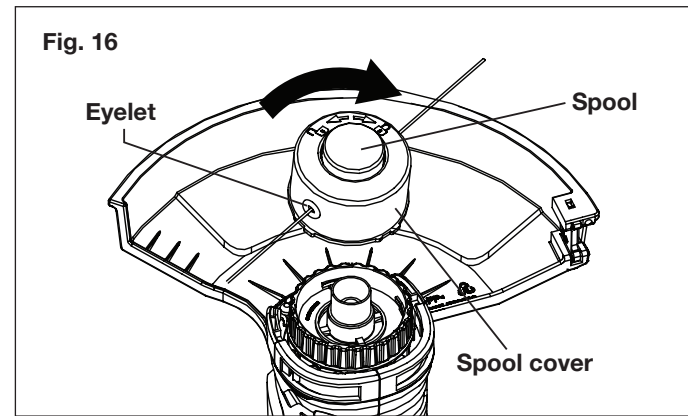
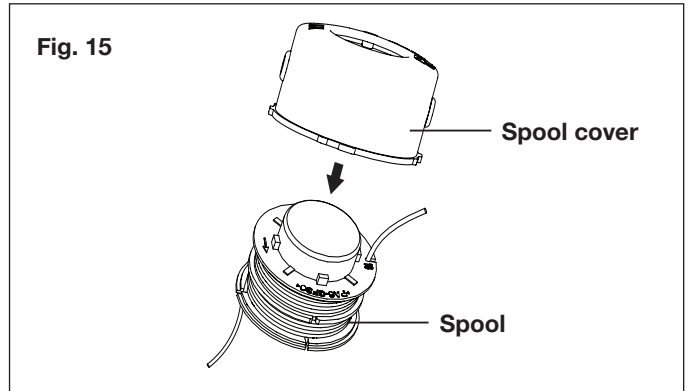
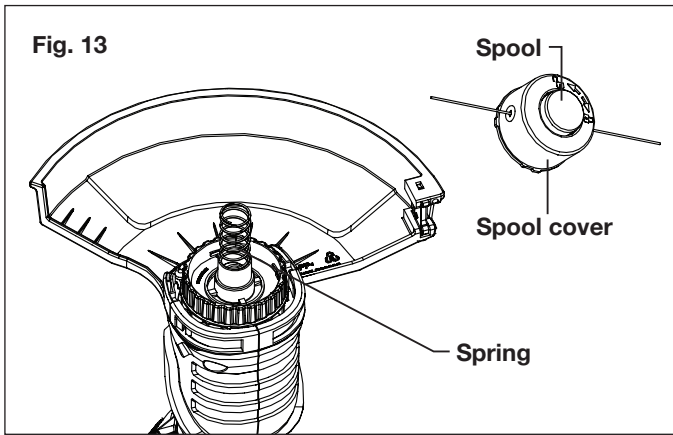
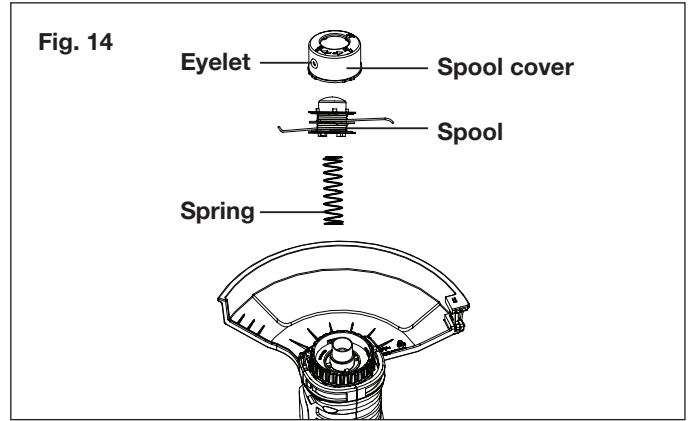
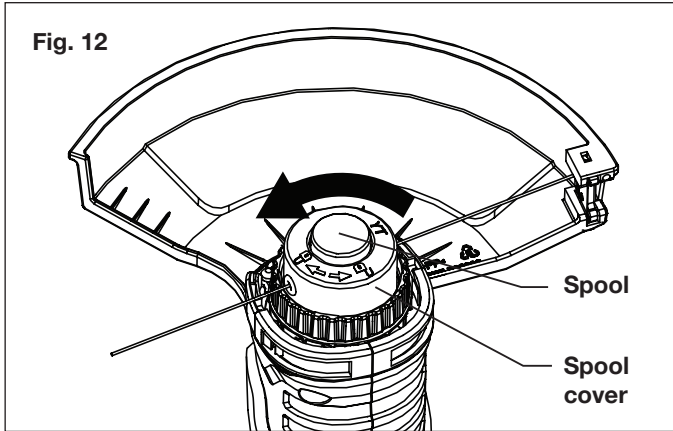
**⚠️ WARNING!** Do not operate the grass trimmer in a tree, on a ladder, or on a scaffold; this is extremely dangerous.

### Replacing the Spool + Clearing Jams and Tangled Lines

**⚠️ WARNING!** Unplug the extension cord from the mains power plug before changing the trimmer line.

1. Turn the spool cover counter-clockwise to unlock and remove it along with the spool from the cutting head (Figs. 12 – 13).

**NOTE:** The cutting line is wound under tension and can be difficult to handle.



2. Remove any broken cutting line, wind the remaining line tight and re-insert the spool into the spool cover as follows (Figs 14 – 16):
  - a. Wind the line tight enough so that it is all below the edge of the flange on the spool. If it extends past the flange, it won't fit into the spool cover. Leave yourself 3 or 4 inches of line to work with.
  - b. Make sure that the two free ends of line are secured in the opposite gaps on the spool flange.
  - c. While holding the ends in the gaps insert them through the eyelets and slip the spool into the cover. Press gently to ensure the spool is seated.
  - d. Pull straight out on the ends of the cutting line to release them from the gaps.
  - e. Replace the cover on the cutting head and lock into place by turning clockwise.

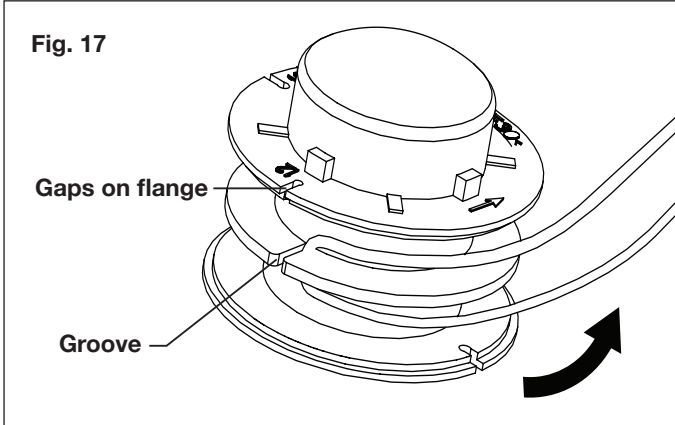
## Winding the Line

**NOTE:** A dual-line factory wound spool (model TRJ607E-RS-6PK) is available for easy spool replacement on the TRJ607E-RM electric grass trimmer. Visit [snowjoe.com](http://snowjoe.com) to purchase this accessory online. Should you wish to wind the line yourself, the instructions are provided below. Self-winding, however, is **NOT** recommended because if the line is not wound properly it can cause the trimmer's bump feed system to malfunction. For this reason, users are strongly urged to purchase the pre-wound spool.

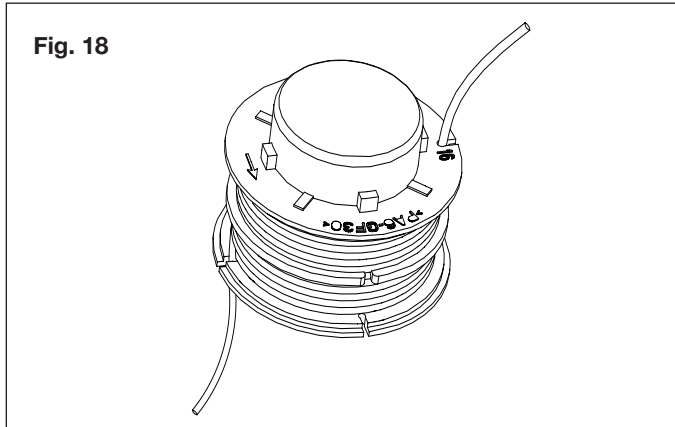
1. Unplug the grass trimmer.
2. To replace the line on a spool, follow these steps (Fig. 17):
  - a. Use approximately 12 ft. (3.7 m) of 0.063 in. (1.6 mm) replacement line. Loop the line into 2 equal lengths

and insert the middle of the line into the groove in the center of the spool.

- b. Wind the line tightly around the spool according to the direction of the arrow on the spool. Tightly wind it until there is about 6 in. (15.24 cm) of the line left.
- c. Lock each end of the line into opposite gaps on the spool flange.



- 3. Wind both ends into the grooves using slight tension and following the direction of the arrows (Fig. 18).



- 4. Re-install the spool as instructed in steps 2a to 2e of "Replacing the Spool + Clearing Jams and Tangled Lines".

**CAUTION!** Catapulted pieces of nylon line may cause injury.

**NOTE:** The maximum recommended length of line in the spool is 12 ft (3.7 m), with 6.6 ft (2 m) per slot.

**WARNING!** Pay attention to the winding direction.

**NOTE:** Always replace the spool with a new pre-wound spool. Visit [snowjoe.com](http://snowjoe.com) to purchase the pre-wound spool (model TRJ607E-RS-6PK) for this electric grass trimmer.

**IMPORTANT:** Keep all areas of the cutting head and cutting head cover clean. Place the cap back by pushing it firmly

onto the cutting head. To ensure that the cutting head cover is correctly fitted, try to remove it without depressing the two latches. If it is correctly fitted, it should not move.

## Storage

Follow these recommendations for storing the trimmer.

- Clean the trimmer thoroughly before storing.
- Store the trimmer in a stable and safe position out of the reach of children. Keep the trimmer in a dry place where the temperature is not too hot or too cold.
- When storing the trimmer, do not rest it against the floor. Hang it by the upper handgrip so that the guard does not touch anything. If the guard rests against a surface, its shape and dimensions could be permanently altered, and could render the machine unsafe to use.

## Service + Support

If your Sun Joe® TRJ607E-RM electric grass trimmer requires service or maintenance, please call the Snow Joe® + Sun Joe® customer service center at 1-866-SNOWJOE (1-866-766-9563).

## Model + Serial Numbers

When contacting the company, reordering parts, or arranging service from an authorized dealer, you will need to provide the model and serial numbers, which can be found on the decal located on the housing of the unit. Copy these numbers into the space provided below.

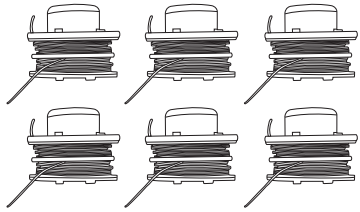
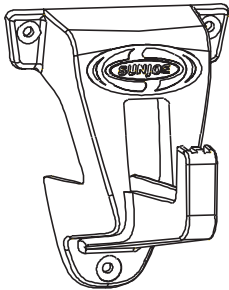
Record the following numbers from the housing or handle of your new product:	
Model #:	
TRJ607E-RM	
Serial #:	

# Troubleshooting

Problems	Possible Cause	Possible Solution
<p>The motor does not run or the tool runs slowly.</p>	<ul style="list-style-type: none"> <li>• Power failure/unit not plugged into a working receptacle.</li> <li>• Spool housing cannot rotate freely.</li> <li>• Cutting line does not protrude.</li> </ul>	<ul style="list-style-type: none"> <li>• Check to make sure the unit is plugged into a working outlet. Make sure the extension cord is not damaged.</li> <li>• Remove the spool and clean the slots; carefully remove any grass and weeds or other debris.</li> <li>• Cut the spool line off so that it just reaches the line trimming blade.</li> <li>• Take the trimmer to an authorized service center if the trimmer does not start after completing these checks.</li> </ul>
<p>Bump line feed does not work.</p>	<ul style="list-style-type: none"> <li>• Trimming blade bound with accumulated grass.</li> <li>• Bump feed out of line.</li> <li>• Spool bound up.</li> <li>• Bump feed is dirty.</li> <li>• Spool line twisted when refilled.</li> <li>• Not enough line is exposed.</li> </ul>	<ul style="list-style-type: none"> <li>• Stop the machine and clean the trimming blade.</li> <li>• Install a new spool of cutting line.</li> <li>• Clean the bump feed.</li> <li>• Remove the spool cover and pull the cutting line until it reaches the trimming blade.</li> </ul>
<p>Line fails to cut off.</p>	<ul style="list-style-type: none"> <li>• Line cutter in guard is covered, damaged, or missing.</li> <li>• Line extends past guard.</li> </ul>	<ul style="list-style-type: none"> <li>• Contact your authorized Snow Joe® + Sun Joe® dealer or call Snow Joe® + Sun Joe® customer service center at 1-866-SNOWJOE (1-866-766-9563).</li> <li>• Rewind or trim line to line cutter.</li> </ul>

# Optional Accessories

**⚠️ WARNING!** ALWAYS use only authorized Snow Joe® + Sun Joe® replacement parts and accessories. NEVER use replacement parts or accessories that are not intended for use with this electric grass trimmer. Contact Snow Joe® + Sun Joe® if you are unsure whether it is safe to use a particular replacement part or accessory with your electric grass trimmer. The use of any other attachment or accessory can be dangerous and could cause injury or mechanical damage.

Accessories	Item	Model
<p>①</p> 	<p>Dual-line pre-wound spool (6-Pack)</p>	<p>TRJ607E-RS-6PK</p>
<p>②</p> 	<p>Snow Joe® + Sun Joe® universal wall bracket</p>	<p>SJWB</p>

**NOTE:** Accessories are subject to change without any obligation on the part of Snow Joe® + Sun Joe® to provide notice of such changes. Accessories can be ordered online at [snowjoe.com](http://snowjoe.com) or via phone by contacting the Snow Joe® + Sun Joe® customer service center at 1-866-SNOWJOE (1-866-766-9563).

**NOTES**

---

---

---

---

---

---

---

---

---

---

---

---

---

---

---

---

---

---

---

---

---

---

---

---

---

---

---



## SNOW JOE® + SUN JOE® REFURBISHED GOODS WARRANTY

### GENERAL CONDITIONS:

Snow Joe® + Sun Joe® operating under Snow Joe®, LLC warrants this refurbished product to the original purchaser for 90 days against defects in material or workmanship when used for normal residential purposes. If a replacement part or product is needed, it will be sent free of charge to the original purchaser except as noted below.

The duration of this warranty applies only if the product is put to personal use around the household. It is the owner's responsibility to correctly perform all maintenance and minor adjustments explained in the owner's manual.

### HOW TO OBTAIN YOUR REPLACEMENT PART OR PRODUCT:

To obtain a replacement part or product, please visit [snowjoe.com/help](http://snowjoe.com/help) or email us at [help@snowjoe.com](mailto:help@snowjoe.com) for instructions. Please be sure to register your unit beforehand to speed up this process. Certain products may require a serial number, typically found on the decal affixed to the housing or guard of your product. All products require a valid proof of purchase.

### EXCLUSIONS:

- Wearing parts like belts, augers, chains and tines are not covered under this warranty. Wearing parts can be purchased at [snowjoe.com](http://snowjoe.com) or by calling 1-866-SNOWJOE (1-866-766-9563).
- Batteries are covered in full for 90-days from the date of purchase.

Snow Joe® + Sun Joe® may from time to time change the design of its products. Nothing contained in this warranty shall be construed as obligating Snow Joe® + Sun Joe® to incorporate such design changes into previously manufactured products, nor shall such changes be construed as an admission that previous designs were defective.

This warranty is intended to cover product defects only. Snow Joe®, LLC is not liable for indirect, incidental or consequential damages in connection with the use or misuse of the Snow Joe® + Sun Joe® products covered by this warranty. This warranty does not cover any cost or expense incurred by the purchaser in providing substitute equipment or service during reasonable periods of malfunction or non-use of this product while waiting for a replacement part or unit under this warranty. Some states do not allow exclusions of incidental or consequential damages so the above exclusions may not apply in all states. This warranty may give you specific legal rights in your state.

### HOW TO REACH US:

We're here to help Monday through Friday from 9AM to 6PM EST. You can reach us at 1-866-SNOWJOE (1-866-766-9563), online at [snowjoe.com](http://snowjoe.com), via email at [help@snowjoe.com](mailto:help@snowjoe.com) or tweet us @snowjoe.

### EXPORTS:

Customers who have purchased Snow Joe® + Sun Joe® products exported from the United States and Canada should contact their Snow Joe® + Sun Joe® distributor (dealer) to obtain information applicable to your country, province or state. If for any reason, you are not satisfied with the distributor's service, or if you have difficulty obtaining warranty information, contact your Snow Joe® + Sun Joe® seller. If in the event your efforts are unsatisfactory, please reach out to us directly.



[snowjoe.com](http://snowjoe.com)